

ROBUS®

OUTDOOR

ORIENT CCT SELECTABLE BOLLARD 20W, IP65



PRODUCT INFORMATION DOCUMENT

FEATURES

- LED replacement for 120W linear halogen fittings
- Modern and attractive design using high quality materials and technologies
- Complete with switch allowing to select 3000K and 4000K colour temperature
- Removable mounting base providing template for drilling anchor points
- Wide operating ambient temperature range of -25°C to +40°C
- Suitable for switching by PIR, Microwave or Photocell sensors

CONSTRUCTION

- Die cast aluminium housing with PMMA diffuser
- High quality powder coating process for high corrosion resistance
- Stainless steel fixing screws



WARRANTY



LIFETIME



LUMENS PER W



IK RATING



IP RATING



OPERATING VOLTAGE



BEAMANGLE



DIMMING



CCT



SAFETY CLASS

Product Code:	ROR20X063-04	ROR20X098-04
Comparable to:	120W linear halogen	120W linear halogen
Total Power (W):	20.4/20.1	20.4/20.1
Power Factor:	0.95	0.95
Total Light Output (lm):	1950/2020	1950/2020
Total Emergency Light Output (lm):	NA	NA
Efficacy (lm/cctW):	96/101	96/101
Lux at 1m (lux):	180/185	180/185
Emergency Lux at 1m (lux):	NA	NA
CCT (K):	3000/4000	3000/4000
CRI:	80	80
IP:	65	65
Operation Temperature (°C):	-25 ≤ Ta ≤ +40	-25 ≤ Ta ≤ +40
Inrush Current:	4.8A/3.2us	4.8A/3.2us
RG Value:	0	0
SDCM:	6	6
Pst LM:	NA	NA
SVM:	NA	NA
Energy Class:	D	D
Rated Life to L70B50 (Hrs):	50000	50000
Dimensions ØxH (mm):	160x630	160x980
Weight (kg):	3.6	4.9

Separate Control Gear Information

Type of Light Source:	LED	LED
Full Load Efficiency (%):	88	88
P _{NET} (W):	NA	NA
Dimensions (mm):	120x50x31	120x50x31

Product is certified to all the relevant standards.

Please contact our technical department for market specific compliances.

PLEASE NOTE: INFORMATION IN THIS DOCUMENT MAY BE SUBJECT TO CHANGE WITHOUT PRIOR NOTICE

IRE: TEL: +353 1 709 9000
UK: TEL: 0800 973 220
AUS: TEL: +61 7 3890 5444
NZ: TEL: +64 03 668 5285

WEB: ROBUS.COM
WEB: ROBUS.COM
WEB: ROBUS.COM.AU
WEB: ROBUSLED.CO.NZ

LED GROUP EUROPE · UK · AUSTRALIA · NEW ZEALAND · ASIA · MIDDLE EAST · AFRICA

ORIENT CCT SELECTABLE BOLLARD

20W, IP65

Cone Illuminance Diagram

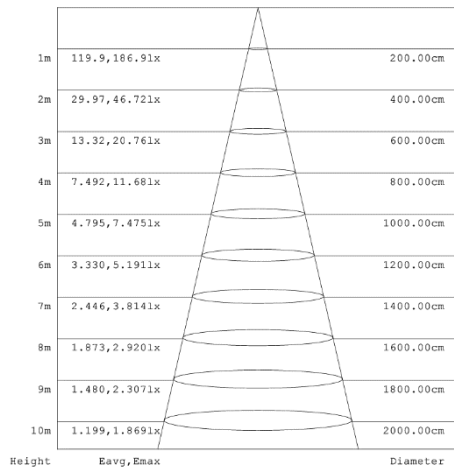


Diagram for ROR20X063-04 in 3000K. Other diagrams available on request

Polar Intensity Diagram

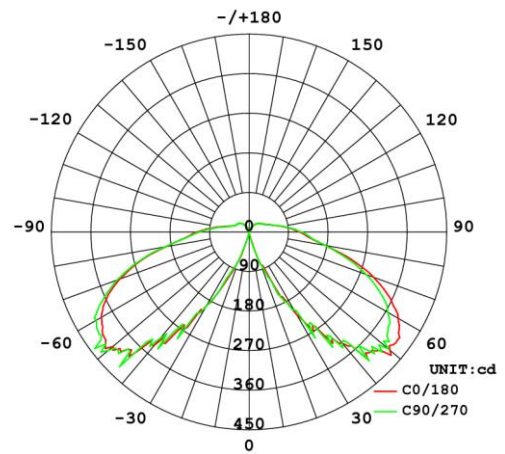
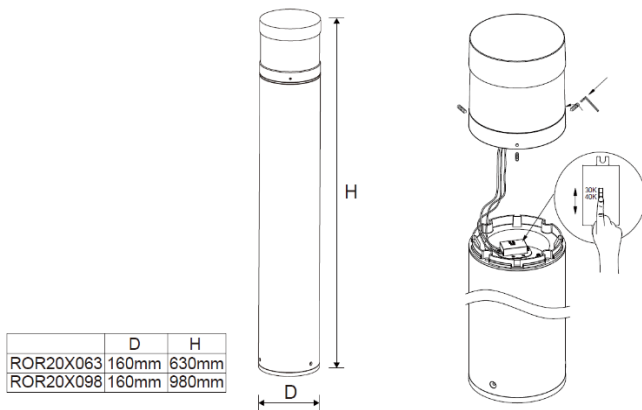


Diagram for ROR20X063-04 in 3000K. Other diagrams available on request

Dimension Diagram



Sensor Data

Time Off Delay:	NA
Illuminance Switching Range:	NA
Sensitivity Range (%):	NA
Mounting Height (max):	NA
Detection Zone Diameter (max):	NA

PLEASE NOTE: INFORMATION IN THIS DOCUMENT MAY BE SUBJECT TO CHANGE WITHOUT PRIOR NOTICE